

X-Twist™

Fixation System
Product Brochure



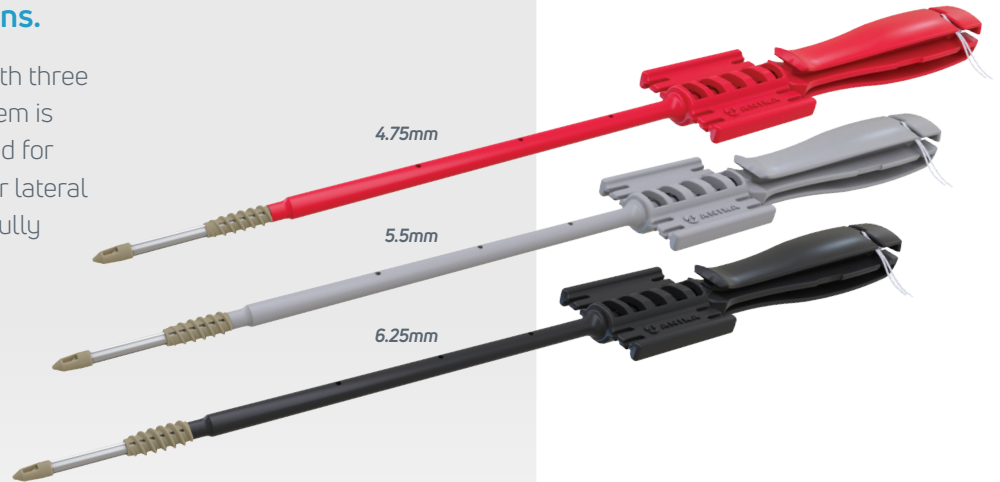
Simply Versatile

*A system designed for use in a wide variety of repair constructs
providing reproducibility and confidence in repairing soft tissue to bone*

X-Twist Fixation System

The X-Twist™ is a knotless, open architecture, and fast inserting suture anchor system with multiple sliding suture and suture tape configurations.

Available in either PEEK or Biocomposite with three anchor diameters, the X-Twist Fixation System is designed for versatility. X-Twist is well-suited for single single or double row, in medial and/or lateral row applications, and in both knotless and fully knotted constructs, to reproducibly and confidently repair soft tissue to bone.



Anchor Design

Feature	Details	Advantage
PEEK distal eyelet	Accommodates four 2mm tapes plus three #2 sutures simultaneously	Multiple tapes/sutures maximize the surface area of tendon to bone compression, points of fixation, and load sharing to support a secure repair and potentially reduce the need for additional suture anchors
Anchor body	Double helix threaded design with high thread pitch	Requires fewer handle rotations for insertion than single helix anchors
Open architecture	14mm vents surrounding the anchor body	Intended to enhance marrow flow to the repair site to support healing and support bony ingrowth for long-term stability
Fully threaded	Consistent bone to anchor purchase points across the anchor body	Provides purchase into cortical and cancellous bone resulting in a stable repair that resists micromotion and pullout
Anchor Material	PEEK or biocomposite (70% PLGA, 30% B-TCP)	PEEK is a strong and bio-inert material. PLGA/B-TCP helps promote bony ingrowth, while being absorbed at a controlled rate, providing strength throughout the healing process.

Ample distal eyelet and vents surrounding the anchor body



*Biocomposite anchors with PEEK distal eyelet.
Left: Two 1.6mm suture tapes
Right: #2 suture*

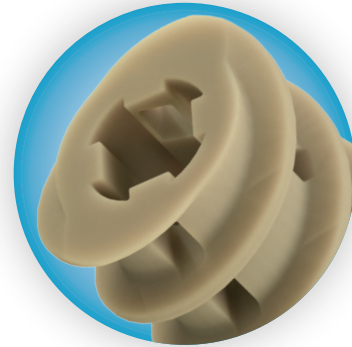
Suture Options

Feature	Details	Advantage
Solid color and striped sutures	Solid: Blue, Black, White Striped: Blue/White, Black/White	Support intra-operative suture management
Sliding retention sutures	#2 suture or 1.6mm suture tape Can be incorporated into repair or discarded – as desired	Options for addressing patient specific needs. Multiple suture configurations may support O.R. standardization and control cost
Static suture tape	1.6mm or 2mm For medial row X-Twist anchor	Provides a broad footprint, maximizing the surface area of tendon to bone compression to support tendon integrity and healing to bone

Driver

X-Spline™ drive

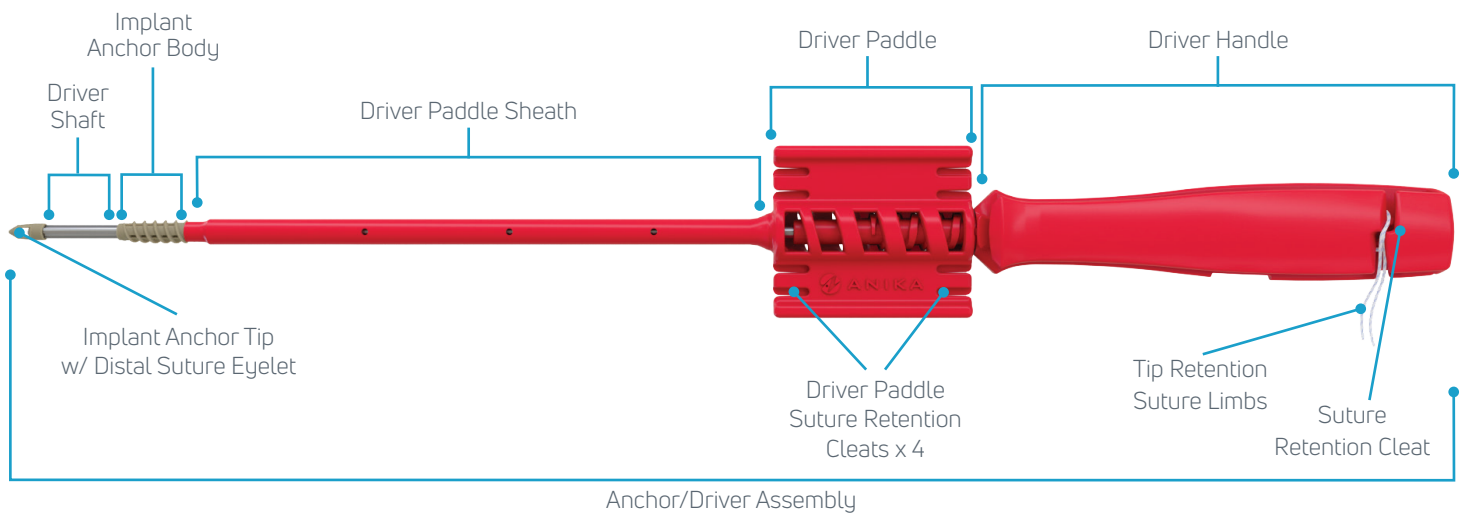
- Unique "X" shaped spline drive geometry
- Holds anchor body securely to driver preventing anchor displacement along the shaft
- Provides over 2 times the torsional efficiency of a traditional hex drive design for reliable insertion, even in hard bone



X-Spline drive provides over 2 times the torsional efficiency of traditional hex drive

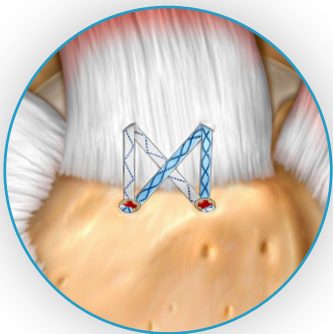
Suture cleats on driver paddle

- 4 suture retention cleats
- Help organize suture limbs to prevent tangling

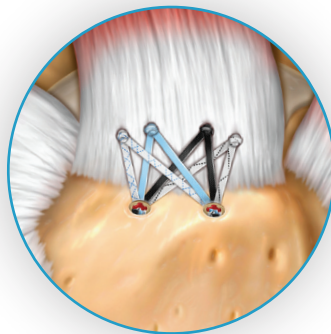


Double Row Bridge Repair

Knotless with two sets of 2mm suture tape

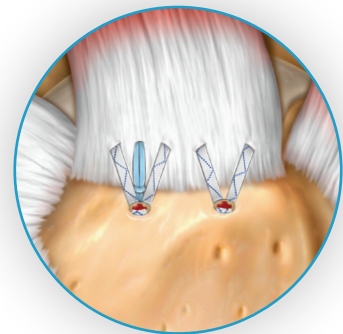


Medially knotted with four sets of 1.6mm suture tape and a knotless lateral row



Single Row Repair

Knotless with inverted mattress stitch using 2mm suture tape, with and without a knotless rip-stop suture



X-Twist Fixation System

X-Twist™ PEEK Screw-In Suture Anchors				
Part #	Diameter (mm)	Length (mm)	Description	Material
XT24700	4.75	23	X-Twist PEEK 4.75mm, w/1, #2 suture (blu/wht)	PEEK
XT24702	4.75	23	X-Twist PEEK 4.75mm, w/2, 1.6mm suture tapes (blu, blu/wht)	PEEK
XT24703	4.75	23	X-Twist PEEK 4.75mm, w/2, 1.6mm suture tapes (blk, blk/wht)	PEEK
XT25500	5.5	23	X-Twist PEEK 5.5mm, w/1, #2 suture (blu/wht)	PEEK
XT25502	5.5	23	X-Twist PEEK 5.5mm, w/2, 1.6mm suture tapes (blu, blu/wht)	PEEK
XT25503	5.5	23	X-Twist PEEK 5.5mm, w/2, 1.6mm suture tapes (blk, blk/wht)	PEEK
XT26200	6.25	23	X-Twist PEEK 6.25mm, w/1, #2 suture (blu/wht)	PEEK

X-Twist Biocomposite Screw-In Suture Anchors				
Part #	Diameter (mm)	Length (mm)	Description	Material
XT44700	4.75	23	X-Twist Biocomposite 4.75mm, w/1, #2 Suture (blu/wht)	Biocomposite
XT44702	4.75	23	X-Twist Biocomposite 4.75mm, w/2, 1.6mm Suture Tapes (blu, blu/wht)	Biocomposite
XT44703	4.75	23	X-Twist Biocomposite 4.75mm, w/2, 1.6mm Suture Tapes (blk, blk/wht)	Biocomposite
XT45500	5.5	23	X-Twist Biocomposite 5.5mm, w/1, #2 Suture (blu/wht)	Biocomposite
XT45502	5.5	23	X-Twist Biocomposite 5.5mm, w/2, 1.6mm Suture Tapes (blu, blu/wht)	Biocomposite
XT45503	5.5	23	X-Twist Biocomposite 5.5mm, w/2, 1.6mm Suture Tapes (blk, blk/wht)	Biocomposite
XT46200	6.25	23	X-Twist Biocomposite 6.25mm, w/1, #2 Suture (blu/wht)	Biocomposite



Suture Tape			
Part #	Size (mm)	Description	QTY/Box
20032S	1.6	Parcus Braid® suture tape (wht/blu)	1
20034S	1.6	Parcus Braid suture tape (wht/blk)	1
20174S	1.6	Parcus Braid infinity loop (wht/blu) w/ straight needle	1
20042	2	Parcus Braid suture tape (wht/blu)	6
20042S	2	Parcus Braid suture tape (wht/blu)	1
20238	2	Anika Braid suture tape (wht/blu)	12
20238S	2	Anika Braid suture tape (wht/blu)	1
20239	2	Anika Braid suture tape (blu)	12
20239S	2	Anika Braid suture tape (blu)	1
20240	2	Anika Braid suture tape (blk/blu)	12
20240S	2	Anika Braid suture tape (blk/blu)	1

X-Twist Instrumentation			
Part #	Description	Sterile/Non-sterile	Single-use/Reusable
XT04701	X-Twist 4.75-5.5mm awl	Non-sterile	Reusable
XT04702	3.6mm awl for X-Twist 4.75mm	Non-sterile	Reusable
XT04700	X-Twist 4.75mm tap	Non-sterile	Reusable
XT05500	X-Twist 5.5mm tap	Non-sterile	Reusable
XT00001	X-Twist sterilization tray	Non-sterile	Reusable

Anika Therapeutics, Inc.

Parcus Medical, LLC
6423 Parkland Dr., Sarasota, FL 34243
1-877-746-2972 | ParcusCS@anika.com

www.anika.com | Anika. Restore Active Living.™ | Stay Active®

This document and information is intended for markets where regulatory approval has been granted. Anika, Parcus, Parcus Braid, X-Spline, X-Twist, Stay Active, and Restore Active Living are trademarks and/or registered trademarks of Anika Therapeutics, Inc. and its affiliates in certain jurisdictions.

System designed and manufactured in the USA | Printed in the USA
©2023 Anika Therapeutics, Inc. All rights reserved.

AML-900-344 REV 03